



OMNISTAT

ELECTRONIC COMMUNICATING THERMOSTAT

Installation Manual

RC-80 Single Stage Heat/Cool

Document Number 13I00-1
January, 1997

CONTENTS

DESCRIPTION	1
INSTALLATION	1
LOCATION	2
REMOVING AN EXISTING THERMOSTAT	2
MOUNTING	3
TYPICAL WIRING DIAGRAMS	6
POWER UP	9
DISABLE KEYS	9
INSTALLER SETUP	10
OWNER'S MANUAL	15
QUICK REFERENCE SETUP GUIDE	16
REMOTE SYSTEM WIRING DIAGRAMS	17
TROUBLESHOOTING TIPS	19

DESCRIPTION

The RC-80 is a precision digital thermostat designed for 24 VAC single stage heating and cooling systems. It has the capability of being controlled both locally and by remote control. It offers programmability, stand alone operation, and robust, optically isolated communications with automation systems, utility control systems, and personal computers.

Electrical rating: 24 V; 3 A; 50/60 Hz

Maximum current: 2 A on any circuit, 3 A total

Thermostat operating current: less than 15 mA

The following requirements must be observed for installation in Europe: CE

1. This equipment must be installed in accordance with National wiring rules for the country in which it is installed.
2. Fuses must be replaced only with IEC rated components.
3. All product labels, instructions and markings relating to safety must be translated to a language which is acceptable in the country in which this equipment is to be installed.

INSTALLATION

Before installing this thermostat:

1. Read all of the installation instructions carefully.
2. Read the Owner's Manual carefully.
3. Ensure that this product is suitable for your application.
4. Ensure that wiring complies with all codes and ordinances.
5. Disconnect power to the control transformer to prevent electrical shock and damage to equipment.
6. Select an appropriate location to ensure an accurate temperature reading.

LOCATION

When replacing an existing thermostat, install the RC-80 in the same location. If the existing location doesn't meet the following criteria, choose a new location to mount the RC-80.

When choosing a location for the thermostat:

1. Ensure that the thermostat is mounted about 5 feet above the floor and is at least 2 feet from an outdoor wall.
2. Ensure that the thermostat is located in an area where there is adequate air circulation.
3. Do not mount in the path of direct sunlight or of radiant heat generated by appliances.
4. Do not mount behind an outdoor wall, near a fireplace, or in the path of any air ducts.

REMOVING AN EXISTING THERMOSTAT

1. Disconnect the power to the control transformer.
2. Remove the cover to the existing thermostat.
3. Disconnect the wires going to each terminal on the thermostat. Label each wire with the letter or number at the terminal.
4. Remove the existing plate or base from the wall.

MOUNTING

When mounting the RC-80, grasp the thermostat by the sides, avoiding the keys, and unsnap the base from the face.

Holding the base to the wall so that the word "TOP" is upright and facing you:

1. Mark the two mounting holes on the wall using a pencil.
2. Drill a hole using a 3/16" bit at each mounting hole marking.
3. Install the two wall anchors supplied.
4. Slide the system wires through the opening in the base.
5. Mount the base to the wall using the two #6 x 1/2" self-tapping screws supplied - See *Figure 1*.

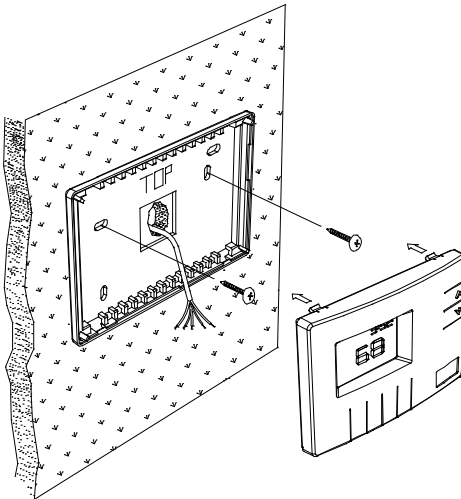


Figure 1 - *Mounting thermostat base*

Connect each wire to the terminal strip on the thermostat base per the wiring diagram for your system application - **See Figures 4 - 8.**

Form the thermostat wiring so that the cable lies flat between the terminal strip and the center of the thermostat base - **See Figure 2.**

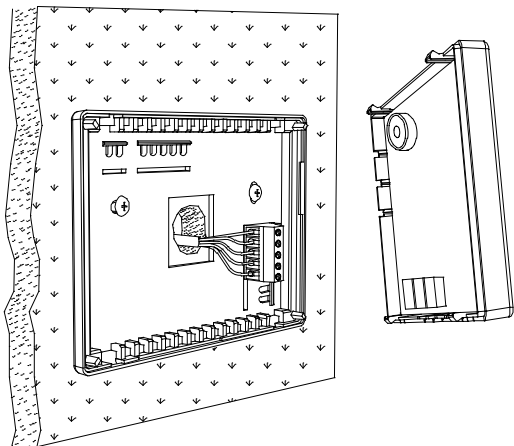


Figure 2 - Forming thermostat wiring

If a remote system is being used with the thermostat, connect the remote system wiring to the supplied cable using the wire splices per the diagram for your remote system application - **See Figures 9 - 10.** Insert the cable into the connector on the thermostat circuit board marked "COMM".

Upon completion of wiring the thermostat, push all excess wiring into the hole in the wall. Plug the hole with the supplied insulating foam to ensure an accurate temperature reading by the thermostat.

Align the tabs of the thermostat face with the slots of the thermostat base. Gently push the thermostat face into the thermostat base locking it into place - *See Figure 3.*

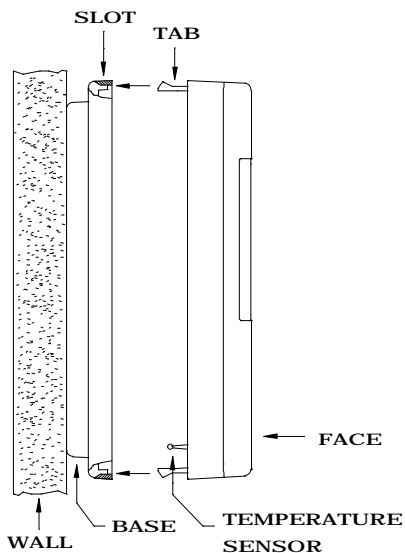


Figure 3 - Mounting thermostat face to thermostat base

Note:

Be sure that the thermostat temperature sensor is standing up, and that it has not been damaged during installation.

TYPICAL WIRING DIAGRAMS



CAUTION

1. Be sure to disconnect the power to the control transformer before removing or installing thermostat.
2. Do not short gas valve, fan, heat relay, or cool relay... even momentarily. This will blow a non-replaceable fuse.
3. Do not attempt to hook up to live circuits. An accidental connection to a component on the thermostat circuit board could cause damage to the thermostat.

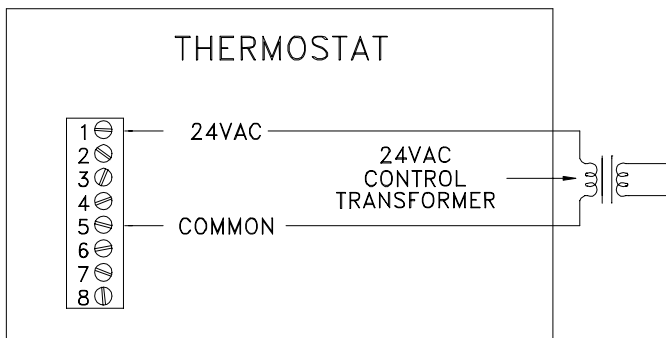


Figure 4 - Thermostat power-up for test or demonstration purposes

Note: As a convenience to the installer, the compressor start up protection delay can be canceled. To cancel the delay, press the Prog key 3 times, then press the Fan key 2 times.

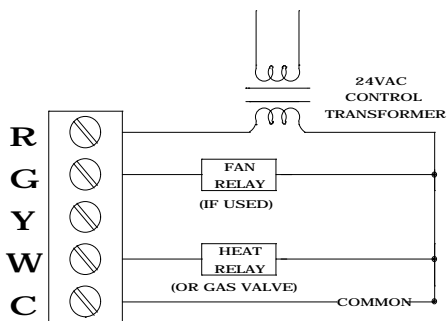


Figure 5 - Single stage heat only thermostat

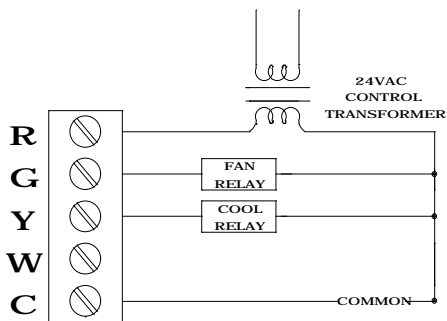
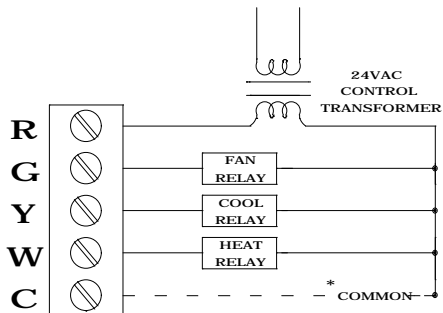
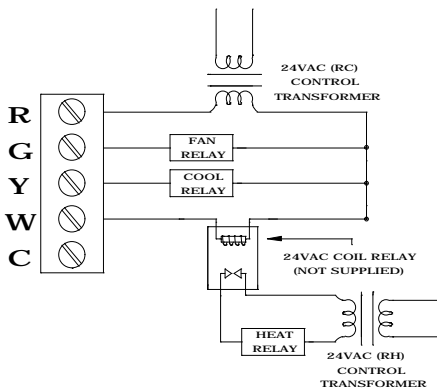


Figure 6 - Single stage cool only thermostat



* Common wire is not required in most heat/cool installations. Use only if heat, cool, or fan relay cannot supply 15mA to power thermostat, without activating.

Figure 7 - Single stage heat/cool thermostat



* Do not connect RC and RH together.

Figure 8 - Heating & cooling with separate transformers

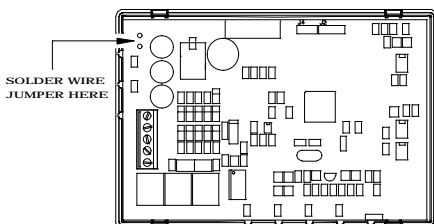
POWER UP

1. Double check wiring, be sure that there are no stray wires or wire strands at the connections.
2. It is not necessary to connect the remote system (COMM) cable at this time.
3. Connect power to the control transformer and system. The display will show all segments for about 5 seconds.
4. Press the Fan key. The fan should come on. Press the Fan key again. The fan should go off.
5. Set the Mode to "HEAT". Use the up arrow key to raise the desired temperature setting above the current temperature. Ensure that the heater unit comes on. Set the mode to "OFF". Ensure that the heat unit goes off.
6. Set the Mode to "COOL". Use the down arrow key to lower the desired temperature setting below the current temperature. Ensure that the cooling unit comes on. Set the mode to "OFF". Ensure that the cooling unit goes off.

If the thermostat or system do not perform as stated above, recheck all wiring - *See Troubleshooting Tips*.

DISABLE KEYS

The keys on the thermostat can be disabled to prevent anyone from controlling the thermostat locally. To disable the keys, solder a wire jumper across the two holes on the circuit board as shown below.



INSTALLER SETUP

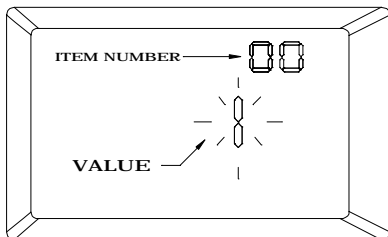
This section describes the items that the installer must setup as part of the thermostat installation. The Installer Setup mode is used to configure the general operating parameters of the thermostat.

When in Installer Setup mode:

1. The small digits on the top of the display are the item number.
2. The large blinking digits in the center of the display are the value of the item number.
3. Press the Prog (>) key to advance to the next item.
4. Press the Hold (<) key to return to the previous item.
5. Use the arrow keys (^-v) to change the value of each item.
6. Do not set the values to anything other than the specified range for each item.
7. To exit Setup mode, press the Fan key.

The thermostat will automatically exit Setup mode after 20 seconds of no key activity.

To enter the Installer Setup, set Mode to "OFF". After 10 seconds, press the Prog key three times (day will flash), then press the Fan key.



The word "default" indicates the initial setting when the thermostat is delivered from the factory.

00 Address

If you are using Communications Mode 0 or 1, and you are installing more than one thermostat, each must be set to a consecutive address, starting at 1. The default address setting is 1.

An address from 1- 127 may be selected.

01 Communications mode

The thermostat can communicate with remote systems in 4 different modes. These modes are:

- 0 300 baud, RS-232 mode (for use with personal computers)
- 1 100 baud, System mode (Omni, OmniPro, and Aegis systems)
- 8 PESH mode, (use with Model 1503 automation systems)
- 24 Day/Night mode (for use with remote setback switch)

The default setting is 1.

02 System options

The thermostat can be configured with the following system options:

- | | | |
|----|-------------------|------------------|
| 0 | Auto changeover | no fan with heat |
| 1 | Auto changeover | fan on with heat |
| 4 | Manual changeover | no fan with heat |
| 5 | Manual changeover | fan on with heat |
| 12 | Heat only | no fan with heat |
| 13 | Heat only | fan on with heat |
| 20 | Cool only | |

The default setting is 0.

03 Display options

The thermostat can be configured to display the following attributes:

0	Celsius	am/pm time format	programmable
1	Fahrenheit	am/pm time format	programmable
2	Celsius	24 hour time format	programmable
3	Fahrenheit	24 hour time format	programmable
4	Celsius	am/pm time format	non-programmable
5	Fahrenheit	am/pm time format	non-programmable
6	Celsius	24 hour time format	non-programmable
7	Fahrenheit	24 hour time format	non-programmable

The default setting is 1.

Add 16 to each setting to disable the clock and filter reminder displays. This may be appropriate for non-programmable and commercial use where the time display is not desired.

04 Calibration offset

This item is used to raise or lower the current temperature reading by 1 degree Fahrenheit or 1/2 degree Celsius. If this item is set to 30, no change will be made. Each digit below 30 will lower to temperature, and each digit above 30 will raise the temperature.

(1 = - 29 to 59 = + 29 - Temperature units - 30 = No change)

The default setting is 30.

05 Cool setpoint limit

This item is used to limit the temperature setting in cool mode. The desired cool setting can never be set below this setting.

The default setting is 51.

06 Heat setpoint limit

This item is used to limit the temperature setting in heat mode. The desired heat setting can never be set above this setting.

The default setting is 91.

07 Not used

08 Not used

09 Cooling anticipator

This item adjusts the tendency of the thermostat to run the cooling system to refresh and dehumidify the air before the temperature rises to the desired cool setting. A setting of 0 will disable this feature.

0 No anticipation

3-5 Normal anticipation

10 Maximum anticipation

The recommended setting for most forced air cooling systems is 4. A lower number will decrease the tendency to run the cooling system below the cooling setting. A lower setting of 2 or 3 may be desired in dry climates.

The default setting is 4.

10 Heating anticipator

This item adjusts the tendency of the thermostat to turn the heating unit off before the desired heat setting is reached. This is done to avoid overheating the air while the walls and furniture catch up. A setting of 0 will disable this feature.

0 No anticipation

3-5 Normal anticipation

10 Maximum anticipation

The following settings are recommended:

Forced air systems 4

Radiant systems 6

A lower setting will decrease the tendency to turn off the heating system before the desired heat setting is reached. If the heating system response time is slower, as are most radiant heating systems, a higher number will help maintain an even space temperature.

The default setting is 4.

11 Cooling minimum on/off time (minutes)

This item is used to limit the on and off times of the cooling system. When the cooling system starts, it must remain on for the minimum time set by this item. When the cooling system turns off, it must remain off for a minimum time set by this item.

<u>Setting</u>	<u>Cycles per hour (maximum)</u>
5	6
6	5
7	4
8	3.7
10	3

The recommended setting is 8 minutes. A higher setting may be appropriate for buildings with low heat loss/gain.

The default setting is 8.

12 Heating minimum on/off time (minutes)

Same as Cooling minimum on/off time, for the heating system.

The default setting is 8.

13 Not used

14 Clock adjust

If the clock on the thermostat is running faster or slower than the actual time, you can have the thermostat automatically compensate up to 29 seconds per day. The thermostat will add or subtract the selected amount of time daily.

(1 = - 29 to 59 = + 29 - Seconds per day - 30 = No change)

The default setting is 30.

Note: If an HAI automation system is being used, the controller system time is sent to the thermostat every minute. This adjustment will have no effect.

15 Filter reminder

The thermostat logs the amount of time the system fan has been running. When this setting reaches 0, the thermostat will display a reminder to replace the filter. The setting is the amount of days (24 hours of system operation) before this reminder is displayed.

Days - Counting down from 10 - 0

The filter reminder can be disabled by setting this item to 60.

16 System runtime (This week)

This item logs the amount of time (hours) that the heating and cooling system was in operation this week.

17 System runtime (Last week)

This item logs the amount of time (hours) that the heating and cooling system was in operation last week.

OWNER'S MANUAL

Following Installer Setup, check the option boxes () in the Owner's Manual according to the configuration of the thermostat.

QUICK-REFERENCE SETUP GUIDE

This table displays each Installer Setup item with its default setting. The column labeled "CURRENT" can be used to write down the current settings if any changes are made to the default settings.

Item Number	Description	Default	Current
00	Address	1	
01	Communication mode	1	
02	System options	0	
03	Display options	1	
04	Calibration offset	30	
05	Cool setpoint limit	51	
06	Heat setpoint limit	91	
07	Not used	-	
08	Not used	-	
09	Cooling anticipator	4	
10	Heating anticipator	4	
11	Cooling minimum on/off time	8	
12	Heating minimum on/off time	8	
13	Not used	-	
14	Clock adjust	30	
15	Filter reminder	10	
16	System runtime (This week)	-	
17	System runtime (Last week)	-	

REMOTE SYSTEM WIRING DIAGRAMS

This thermostat has been preprogrammed with energy saving settings recommended under the EPA Energy Star program. When used with remote systems, HAI recommends that the thermostat be configured as "non-programmable" (See Setup Item 03 - "Display Options").

HAI AUTOMATION SYSTEMS

The thermostat can be connected to an HAI automation system. The controller can send commands to the thermostat to change mode, cool setting, heat setting, status of fan and hold, and other items.

Run a 3 (or 4) conductor wire from the HAI system to the thermostat location. All thermostats on an Omni, OmniPro, or Aegis controller are connected to Zone 16 and Output 8. Connect the red COMM cable wire with the black COMM cable wire. Make the connections (as shown in Figure 9) using the supplied wire splices.

Note: Do not connect the red COMM cable wire to 12V. If a 4 conductor wire is used, disconnect the red conductor. It is not used!

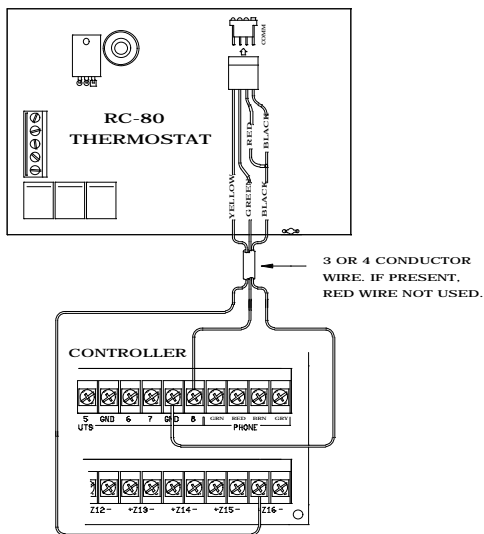


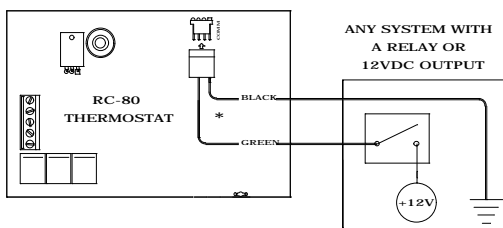
Figure 9 - Hookup to an HAI system

Additional thermostats are connected in parallel. They may be connected in home-run or daisy chain configuration.

REMOTE DAY/NIGHT SETBACK SWITCHES

The thermostat can be connected to a remote system or remote switch. A signal can be sent from the remote location to change the thermostat temperature settings from the "DAY" setting to the "NIGHT" setting. To use this mode, setup item 01 - "Communications mode" must be set to 24.

Run a two conductor wire from the remote system or remote switch to the thermostat location. Make the connections using supplied wire splices - **See Figure 10.**



* Red and yellow wires are not used.
Insulate each using a small piece of tape.

Figure 10 - Hookup to remote Day/Night setback switch

OTHER SYSTEMS

For connections to personal computers, utility management systems, and other automation systems, refer to connection diagrams provided with personal computer software package or other system.

TROUBLESHOOTING TIPS

SYMPTOM	ACTION TO TAKE
Thermostat Dead	1. Check power to the thermostat
	2. Check wiring diagrams
	3. Check thermostat temperature sensor
Thermostat will not operate with a damaged temperature sensor	
SYMPTOM	ACTION TO TAKE
Fan, Heat, Or Cool Inoperative	1. Check for break in G, W, or Y wire
	2. Allow minimum off time to pass
	3. Check system options for correct settings
	4. Remote system is overriding thermostat
"REMOTE" is displayed when system is overriding thermostat. Disconnect the cable from "COMM" connector to test	
SYMPTOM	ACTION TO TAKE
Can't Adjust Temperature	1. Mode is Off (Select Heat, Cool, or Auto)
	2. Check if thermostat keys are disabled
To enable thermostat keys for test, remove jumper	
SYMPTOM	ACTION TO TAKE
Control By Remote System Not Working	1. Check COMM connector and wiring
	2. Check thermostat address setting
	3. Check communications mode setting
	4. Check setup of the remote system
Ensure that all setup items for the thermostat and the remote system are set to the proper configurations for communication	

SYMPTOM	ACTION TO TAKE
Temperature Reading Incorrect	1. Allow 30 minutes for thermostat to adjust to room temperature
	2. Adjust calibration offset
	3. Change setup option to display °F or °C
After installation, allow the thermostat up to 30 minutes for an accurate temperature reading	
SYMPTOM	ACTION TO TAKE
Display Problem	1. Disconnect power to the thermostat. Reconnect, then observe display self-test
For a 5 second period after power is reconnected, all segments of the display should light indicating all thermostat functions	